

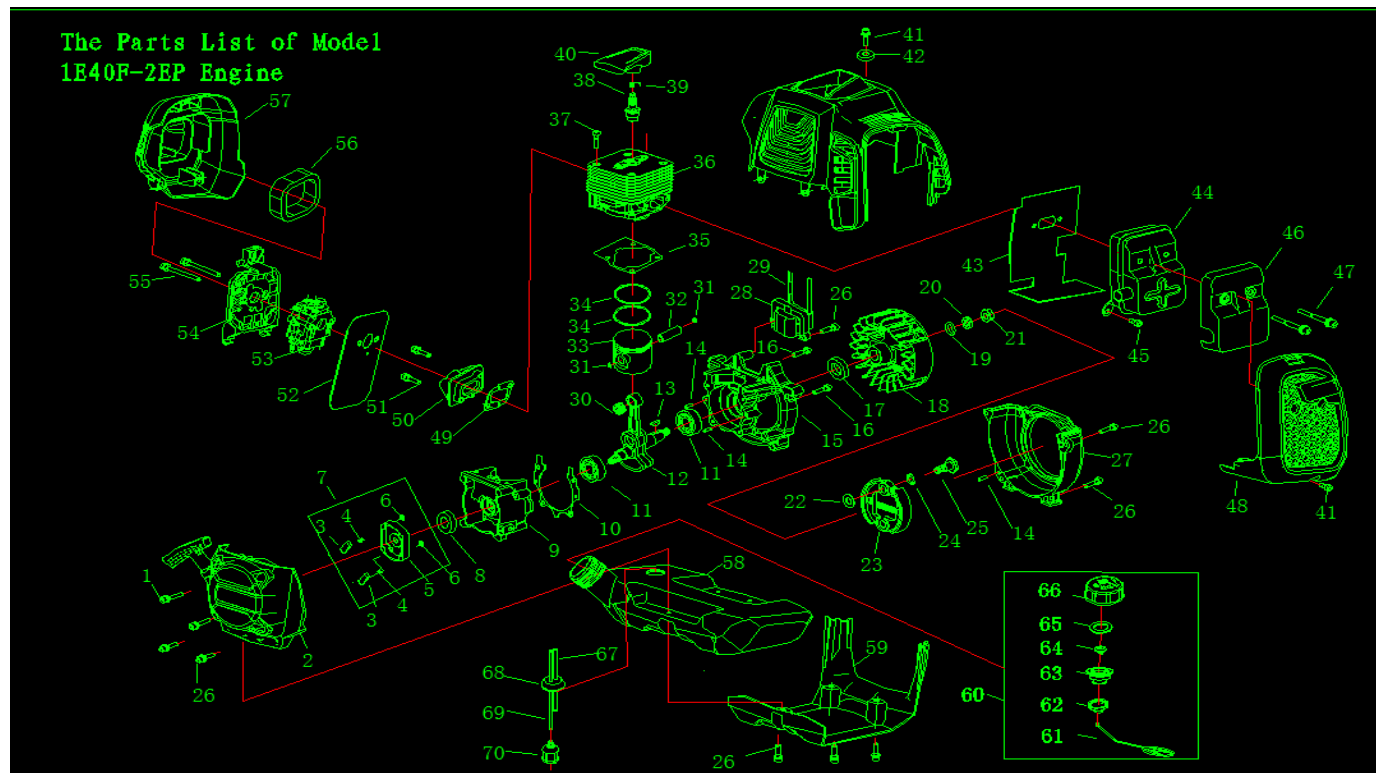
| Nº Fig | Referencia | Descripción | NºPcs. |
|--------|---------------------|------------------------|--------|
| 1 | GB70.1+GB93+GB97 | Bolt M5x35 | 2 |
| 2 | 1E40F-2EP.7 | Starter | 1 |
| 3 | 1E36F-2C.5-3 | Start Claw | 2 |
| 4 | 1E36F-2C.5-2 | Start Spring | 2 |
| 5 | 1E36F-2C.5-1 | Start Reel | 1 |
| 6 | GB/T896 | Stop Ring 4 | 2 |
| 7 | 1E36F-2C.5 | Start Reel Ass'y | 1 |
| 8 | 1E36F.2 | Oil-seal | 1 |
| 9 | 1E40F-E.6-2 | Crank Case | 1 |
| 10 | 1E40F-5.8-4 | Gasket | 1 |
| 11 | GB/T276 | Bearing 6202/P6 | 2 |
| 12 | 1E40F-E.4.1A | Crank Shaft | 1 |
| 13 | GB1099 | Key 3x5x13 | 1 |
| 14 | GB119.1 | Pin 4h8x10 | 4 |
| 15 | 1E40F-2EP.8-1 | Crank Case | 1 |
| 16 | GB70.1 | Bolt M5x30 | 4 |
| 17 | 1E40F-5.9 | Oil-seal | 1 |
| 18 | HA46.2.1.1 | Magneto Rotor Comp. | 1 |
| 19 | GB/T97.1 | Washer8 | 1 |
| 20 | GB/T859 | Washer8 | 1 |
| 21 | GB6170 | Nut M8 | 1 |
| 22 | 1E36F-3 | WasherB | 2 |
| 23 | 1E36F-E.6B | Expander Ass'y | 1 |
| 24 | 1E40F-5-11 | Washer | 2 |
| 25 | P40-18 | Screw Pin | 2 |
| 26 | GB70.1+GB93+GB848 | Bolt M5x20 | 11 |
| 27 | 1E36FG-2 | Fan Cover | 1 |
| 28 | 1E40F-E.3.1-2 | Ignition Coil Comp. | 1 |
| 29 | 1E40FGE.2 | Cord Comp. | 1 |
| 30 | 1E44F-2A.2-3 | Bearing | 1 |
| 31 | P40.6-4 | Ring | 2 |
| 32 | 1E46FP.6-3 | Piston Pin | 1 |
| 33 | 1E40F-E.4-1 | Piston | 1 |
| 34 | 1E40FP-3Z.3-5 | Piston Ring | 2 |
| 35 | 1E40F-E-3 | Gasket | 1 |
| 36 | 1E40FG-1A | Cylinder | 1 |
| 37 | GB70.1 | Bolt M5x20 | 4 |
| 38 | L8RTC | Spark Plug | 1 |
| 39 | 1E40F-2EP.2.1-2 | Spring | 1 |
| 40 | 1E40F-2EP.2.1-1 | Cap | 1 |
| 41 | GB70.1+GB93+GB97 | Bolt M5x16 | 2 |
| 42 | 1E33F-4 | Gasket | 1 |
| 43 | HA46-1 | Gasket | 1 |
| 44 | 1E40F-2E.2 | Muffler | 1 |
| 45 | GB70.1+GB93+GB97 | Bolt M5x12 | 1 |
| 46 | 1E40F-E-6 | Cover | 1 |
| 47 | GB70.1+GB97 | Bolt M6x60-12.9 | 2 |
| 48 | 1E40F-2EP.5 | Muffler Cover | 1 |
| 49 | 1E40F-5-2 | Gasket | 1 |
| 50 | HA46.9 | Admitting Pipe | 1 |
| 51 | GB70.1+GB93+GB97 | Bolt M5x25 | 1 |
| 52 | 1E40F-2EG-2 | Gasket | 1 |
| 53 | 1E40F-2E.1A | Carburetor | 1 |
| 54 | 1E34F-2E-GGP.1.1 | Cleaner inside cover | 1 |
| 55 | GB70.1+GB93+GB97 | Bolt M5x50 | 2 |
| 56 | 1E34F.1-1 | Filter Net | 1 |
| 57 | 1E40F-2EP.1-1 | Cleaner Outside Cover | 1 |
| 58 | 1E40F-2EP.6-1 | Fuel Tank | 1 |
| 59 | 1E40F-2EP.4 | Stand | 1 |
| 60 | 1E34F-2E-GGP.6.1B | Lid Ass'y | 1 |
| 61 | 1E32FL.6.2-4 | Chain | 1 |
| 62 | 1E32FL.6.2-3 | End Cover | 1 |
| 63 | 1E34F-2E-GGP.6.1B-2 | Inside Cover | 1 |
| 64 | 1E34F-2E-GGP.6.1-2 | Inlet | 1 |
| 65 | 1E34F-2E-GGP.6.1B-1 | Gasket | 1 |
| 66 | 1E34F-2E-GGP.6.1-1A | Fuel Tank Lid | 1 |
| 67 | EB415.4.2-4 | Fuel Pipe 2.5x1.25x100 | 1 |
| 68 | EB-415.4.2-2 | Plug | 1 |
| 69 | CG420.1.3.2-2 | Fuel Pipe 3x1.5x160 | 1 |
| 70 | P40.12.2-3A | Cleaner Cover | 1 |



CAMON®

OUTDOOR POWER EQUIPMENT

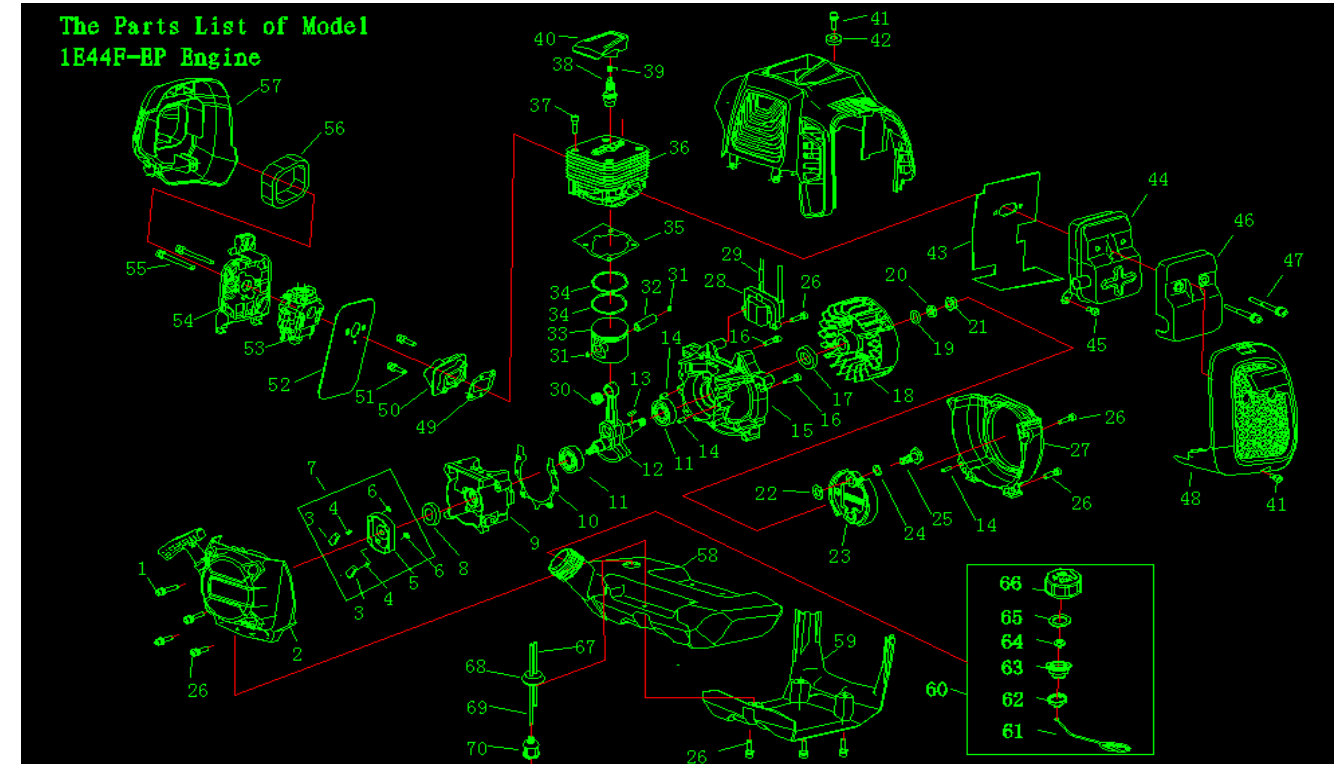
DESBROZADOR CAMON 3GC430-E



| Nº Fig | Referencia | Descripción | NºPcs. |
|-----------|--------------------------|------------------------|----------|
| 1 | GB70.1+GB93+GB97 | Bolt M5x35 | 2 |
| 2 | 1E40F-2EP.7 | Starter | 1 |
| 3 | 1E36F-2C.5-3 | Start Claw | 2 |
| 4 | 1E36F-2C.5-2 | Start Spring | 2 |
| 5 | 1E36F-2C.5-1 | Start Reel | 1 |
| 6 | GB/T896 | Stop Ring 4 | 2 |
| 7 | 1E36F-2C.5 | Start Reel Ass'y | 1 |
| 8 | 1E36F.2 | Oil-seal | 1 |
| 9 | 1E40F-E.6-2 | Crank Case | 1 |
| 10 | 1E40F-5.8-4 | Gasket | 1 |
| 11 | GB/T276 | Bearing 6202/P6 | 2 |
| 12 | 1E40F-E.4.1A | Crank Shaft | 1 |
| 13 | GB1099 | Key 3x5x13 | 1 |
| 14 | GB119.1 | Pin 4h8x10 | 4 |
| 15 | 1E40F-2EP.8-1 | Crank Case | 1 |
| 16 | GB70.1 | Bolt M5x30 | 4 |
| 17 | 1E40F-5.9 | Oil-seal | 1 |
| 18 | HA46.2.1.1 | Magneto Rotor Comp. | 1 |
| 19 | GB/T97.1 | Washer8 | 1 |
| 20 | GB/T859 | Washer8 | 1 |
| 21 | GB6170 | Nut M8 | 1 |
| 22 | 1E36F-3 | WasherB | 2 |
| 23 | 1E36F-E.6B | Expander Ass'y | 1 |
| 24 | 1E40F-5-11 | Washer | 2 |
| 25 | P40-18 | Screw Pin | 2 |
| 26 | GB70.1+GB93+GB848 | Bolt M5x20 | 11 |
| 27 | 1E36FG-2 | Fan Cover | 1 |
| 28 | 1E40F-E.3.1-2 | Ignition Coil Comp. | 1 |
| 29 | 1E40FGE.2 | Cord Comp. | 1 |
| 30 | 1E44F-2A.2-3 | Bearing | 1 |
| 31 | P40.6-4 | Ring | 2 |
| 32 | 1E44F-2A.2-2 | Piston Pin | 1 |
| 33 | 1E44F-E.3-1 | Piston | 1 |
| 34 | 1E44F-2A.2-4 | Piston Ring | 2 |
| 35 | 1E40F-5-6 | Gasket | 1 |
| 36 | EB-500-E.1-2A | Cylinder | 1 |
| 37 | GB70.1 | Bolt M5x20 | 4 |
| 38 | L8RTC | Spark Plug | 1 |
| 39 | 1E40F-2EP.2.1-2 | Spring | 1 |
| 40 | 1E40F-2EP.2.1-1 | Cap | 1 |
| 41 | GB70.1+GB93+GB97 | Bolt M5x16 | 2 |
| 42 | 1E33F-4 | Gasket | 1 |
| 43 | HA46-1 | Gasket | 1 |
| 44 | 1E44F-E.2-SW | Muffler | 1 |
| 45 | GB70.1+GB93+GB97 | Bolt M5x12 | 1 |
| 46 | 1E40F-E-6 | Cover | 1 |
| 47 | GB70.1+GB97 | Bolt M6x60-12.9 | 2 |
| 48 | 1E40F-2EP.5 | Muffler Cover | 1 |
| 49 | 1E40F-5-2 | Gasket | 1 |
| 50 | HA46.9 | Admitting Pipe | 1 |
| 51 | GB70.1+GB93+GB97 | Bolt M5x25 | 1 |
| 52 | 1E40F-2EG-2 | Gasket | 1 |
| 53 | 1E40F-2E.1A | Carburetor | 1 |
| 54 | 1E34F-2E-GGP.1.1 | Cleaner inside cover | 1 |
| 55 | GB70.1+GB93+GB97 | Bolt M5x50 | 2 |
| 56 | 1E34F.1-1 | Filter Net | 1 |
| 57 | 1E40F-2EP.1-1 | Cleaner Outside Cover | 1 |
| 58 | 1E40F-2EP.6-1 | Fuel Tank | 1 |
| 59 | 1E40F-2EP.4 | Stand | 1 |
| 60 | 1E34F-2E-GGP.6.1B | Lid Ass'y | 1 |
| 61 | 1E32FL.6.2-4 | Chain | 1 |
| 62 | 1E32FL.6.2-3 | End Cover | 1 |
| 63 | 1E34F-2E-GGP.6.1B-2 | Inside Cover | 1 |
| 64 | 1E34F-2E-GGP.6.1-2 | Inlet | 1 |
| 65 | 1E34F-2E-GGP.6.1B-1 | Gasket | 1 |
| 66 | 1E34F-2E-GGP.6.1-1A | Fuel Tank Lid | 1 |
| 67 | EB415.4.2-4 | Fuel Pipe 2.5x1.25x100 | 1 |
| 68 | EB-415.4.2-2 | Plug | 1 |
| 69 | CG420.1.3.2-2 | Fuel Pipe 3x1.5x160 | 1 |
| 70 | P40.12.2-3A | Cleaner Cover | 1 |



DESBROZADOR CAMON 3GC520-E

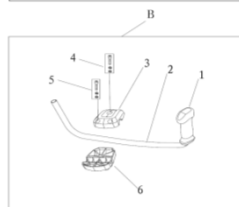
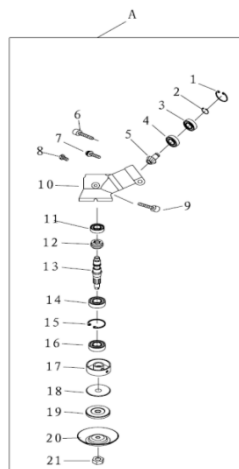




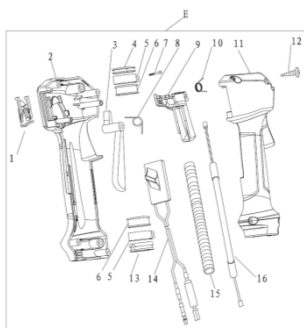
CAMON
OUTDOOR POWER EQUIPMENT

DESBROZADOR CAMON 3GC430E/3GC520E

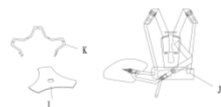
| Nº Fig | Referencia | Descripción | NºPcs. |
|---------------|--------------------|---------------------|---------------|
| A | BG63.5 | Gear Case Ass'y | |
| 1 | GB893.2 | Stop Ring 28 | 1 |
| 2 | GB894.1 | Stop Ring 12 | 1 |
| 3 | GB/T276 | Bearing 6001-2RS/P5 | 1 |
| 4 | GB/T276 | Bearing 6001/P5 | 2 |
| 5 | BG63.5-2 | Pinion | 1 |
| 6 | GB70.1+GB93+GB97 | Screw M6x35 | 1 |
| 7 | GB70.1+GB93 | Screw M5x14 | 1 |
| 8 | GB70.1 | Screw M5x8 | 4 |
| 9 | GB70.1 | Screw M6x8 | 1 |
| 10 | BG63.5-1 | Gear Case | 1 |
| 11 | GB/T276 | Bearing 6000/P5 | 1 |
| 12 | BG63.5-3 | Gear | 1 |
| 13 | BG63.5-4 | Gear Shaft | 1 |
| 14 | GB/T276 | Bearing 6202-2RS/P5 | 1 |
| 15 | GB893.2 | Stop Ring 35 | 1 |
| 16 | BG63.5-1 | Oil-seal | 1 |
| 17 | BG63.5-8 | Holder A | 1 |
| 18 | BG63.5-5 | Washer | 1 |
| 19 | BG63.5-6 | Holder B | 1 |
| 20 | BG63.5-7 | Cover | 1 |
| 21 | BG63.5-9 | Nut | 1 |
| Nº Fig | Referencia | Descripción | NºPcs. |
| B | | | |
| 1 | 3GC520-9 | Grip Left | 1 |
| 2 | CG330-E-GGP-5 | Handle | 1 |
| 3 | 3GC520-1 | Cap,Upper | 1 |
| 4 | BC36.4-2+GB93+GB97 | Screw M6x50 | 1 |
| 5 | BC36.4-2+GB93+GB97 | Screw M5x30 | 2 |
| 6 | 3GC520-2 | Cap,Lower | 1 |



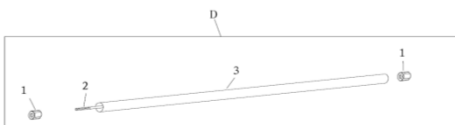
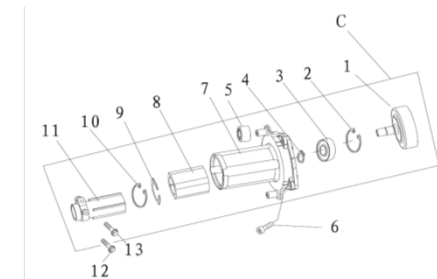
| Nº Fig | Referencia | Descripción | NºPcs. |
|----------|------------------|-------------------|--------|
| E | 3GC520.2 | Lever Ass'y | |
| 1 | 3GC520.2-4 | Button | 1 |
| 2 | 3GC520.2.1 | Box,Left | 1 |
| 3 | 3GC520.2-3 | Handgrip | 1 |
| 4 | CG330-E-GGP.2-1 | Rubber,Seal | 1 |
| 5 | CG260A-E-GGP.1-5 | Clamp | 2 |
| 6 | CG330-E-GGP.2-4 | Rubber Ring | 2 |
| 7 | GB70.1 | Screw M5x12 | 2 |
| 8 | 3GC520.2-5 | Spring | 1 |
| 9 | 3GC520.2-2 | Handgrip | 1 |
| 10 | 3GC520.2-6 | Spring | 1 |
| 11 | 3GC520.2-1 | Box,Right | 1 |
| 12 | GB845 ST3.5x16 | Screw ST3.5x16 | 4 |
| 13 | CG330-E-GGP.2-2 | Rubber Ring | 1 |
| 14 | 3GC520.2.2 | Stop Button Comp. | 1 |
| 15 | BG-328A-2 | Tube | 1 |
| 16 | 3GC520.2.3 | Cable Comp. | 1 |



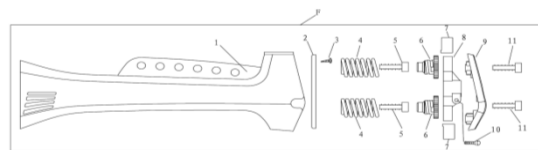
| Nº Fig | Referencia | Descripción | NºPcs. |
|----------|------------|-------------|--------|
| I | CG520-HL-2 | Blade Ass'y | 1 |
| J | BC46.3 | Harness | 1 |
| K | CG520-HL-2 | Blade Cover | 1 |



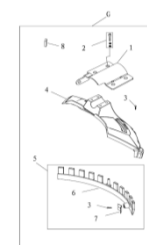
| Nº Fig | Referencia | Descripción | NºPcs. |
|---------------|--------------------|---------------------|---------------|
| C | 3GC520.1 | Clutch Comp. | |
| 1 | CG63.3.1 | Clutch Drum Comp | 1 |
| 2 | GB893.1 φ35 | Stop Ring 35 | 1 |
| 3 | GB276 6202-2RS/P5 | Bearing 6202-2RS/P5 | 1 |
| 4 | GB894.1 φ15 | Stop Ring 15 | 1 |
| 5 | 3GC520-8 | Rubber column | 2 |
| 6 | GB70.1+GB93+GB848 | Screw M6x20 | 4 |
| 7 | 3GC520.1-1 | Clutch Case | 1 |
| 8 | CG63.3-2 | Rubber | 1 |
| 9 | CG63.3-4 | Washer | 1 |
| 10 | GB893.1 φ48 | Stop Ring 48 | 1 |
| 11 | CG63.3-3 | Linker | 1 |
| 12 | GB70.1+GB93+GB97.1 | Screw M6x30 | 1 |
| 13 | GB70.1 | Screw M5x12 | 1 |
| Nº Fig | Referencia | Descripción | NºPcs. |
| D | | | |
| 1 | BG63.4.1 | Drive Bearing | 6 |
| 2 | CG63.1-2 | Drive Shaft | 1 |
| 3 | CG63.1-1C | Pipe | 1 |



| Nº Fig | Referencia | Descripción | NºPcs. |
|----------|--------------------|----------------|--------|
| F | | | |
| 1 | 3GC520.4 | Handle Grip | 1 |
| 2 | 3GC520-3 | Support board | 1 |
| 3 | GB845 ST4.2x19 | Screw ST4.2x19 | 4 |
| 4 | YD-45-E.7-2 | Spring | 2 |
| 5 | YD-45-E.7-4 | Screw | 2 |
| 6 | 3GC520-6 | Spring seat | 2 |
| 7 | 3GC520-7 | Rubber cover | 2 |
| 8 | 3GC520-5 | Clamping ring | 1 |
| 9 | 3GC520-4 | Side cover | 1 |
| 10 | GB70.1+GB93+GB97.1 | Screw M6x25 | 1 |
| 11 | 3GC520-10 | Screw 6.25x30 | 2 |



| Nº Fig | Referencia | Descripción | NºPcs. |
|----------|----------------|----------------------|--------|
| G | 3GC520.3 | Cuard Ass'y | |
| 1 | 3GC520.3-1A | Safety Guard Bracket | 1 |
| 2 | GB70+GB93+GB97 | Screw M5x20 | 4 |
| 3 | GB845 ST4.2x16 | Screw ST4.2x16 | 3 |
| 4 | 3GC520.3.2 | Safety Guard | 1 |
| 5 | 3GC520.3.1 | Guard Ass'y | 1 |
| 6 | 3GC520.3.1-1 | Guard | 1 |
| 7 | BC46.2.1-1 | Blade | 1 |
| 8 | BC46-5 | Blade Cover | 1 |



| Nº Fig | Referencia | Descripción | NºPcs. |
|----------|-------------|-------------------|--------|
| H | BG63.10 | Nylon Cutter Head | |
| 1 | BG63.10.1 | Case | 1 |
| 2 | BG63.10-1 | Spring | 1 |
| 3 | BG63.10.3 | Cord Holder | 1 |
| 4 | | Cord φ2.5x5000 | 1 |
| 5 | BG63.10.2-2 | Cord Cover | 2 |
| 6 | BG63.10.2 | Cover | 1 |

